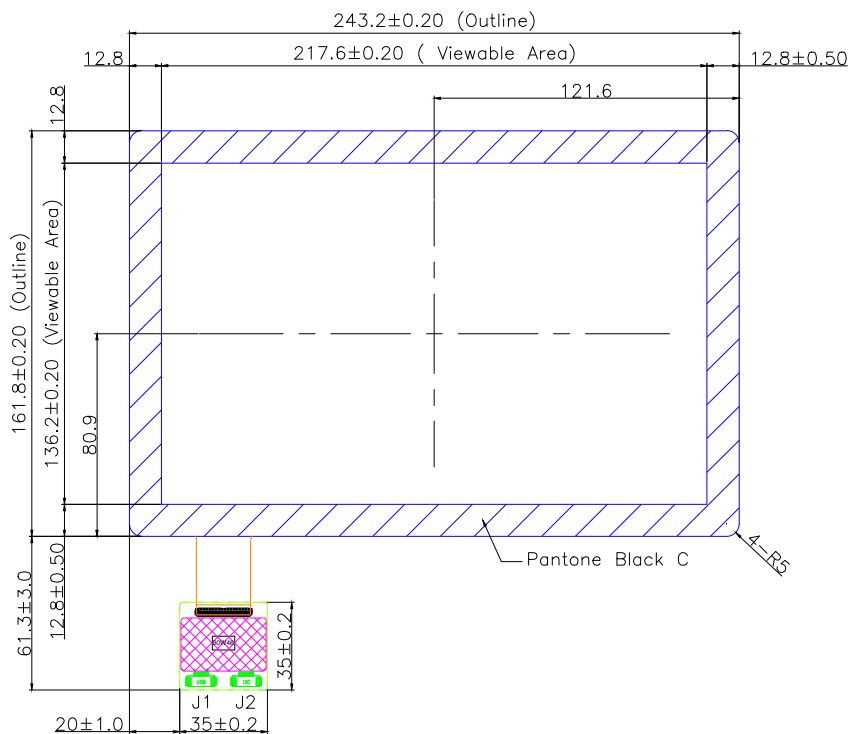


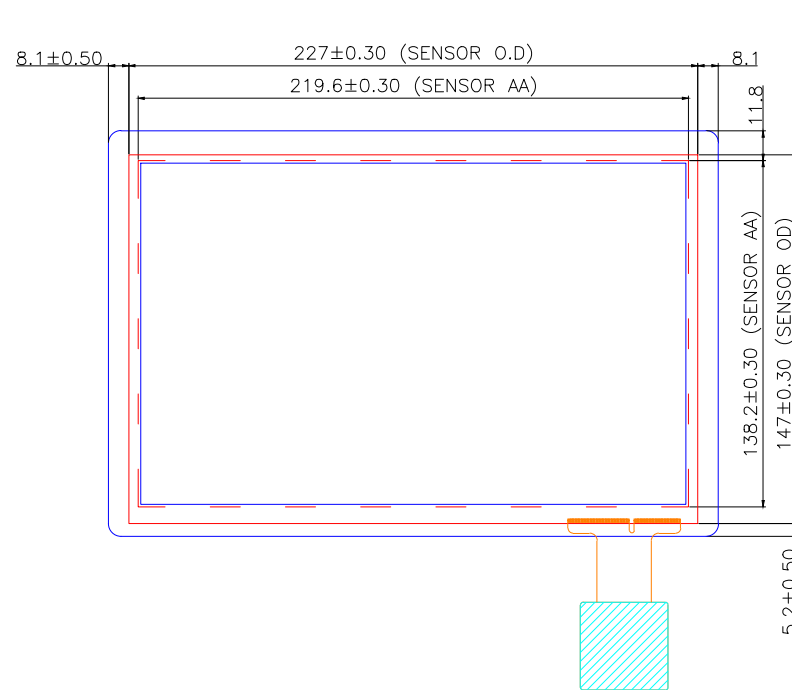
REVISIONS

REV	DESCRIPTION	DESIGN	DATE
01	INITIAL RELEASE	Ryan	2021.07.22

FRONT VIEW



BACK VIEW

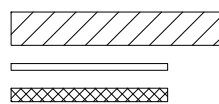


J1 USB	
PIN	DEFINE
1	GND_E
2	VDD
3	GND
4	D+
5	D-

J2 I2C	
PIN	DEFINE
1	GND
2	I2C_SDA
3	I2C_SCL
4	VDD
5	I2C_INT

Note:

- Operating Temperature: -20~70
- Storage Temperature: -30~80
- Surface Hardness: ≥ 7H
- Cover Glass Printing: Pantone Black C
- Controller: FPC+Control Board(EXC80W46)
- Connector: 50271-00501-001
FPC Connector: 51607-0710M-001
- Unspecified Tolerance: ±0.3mm



CS GLASS 1.1t
Optical Adhesive
ITO GLASS 0.7t

DETAIL A

UNIT	mm.	奇幾科技股份有限公司 MiracleTouch Technology Inc.	REV	DATE	DESIGN	DATE	APPROVED
THIRD ANGLE	MODEL		01	2021.07.22	Ryan	2021.07.22	Eric
	DRAWING NO.	10.1" PCT Touch Panel					
		22101017					